



Iron/Tones®
Left-bowl sink rack for Iron/Tones® kitchen sink
K-6070

Features

- Fits in the left bowl of the K-6498 Iron/Tones Smart Divide kitchen sink.
- Helps protect sink surface from daily wear.
- Dishwasher-safe.
- Rubber feet provide added protection.

Material

- Durable stainless steel construction.

Recommended Products/Accessories

K-23729 Stainless steel cleaner



Codes/Standards

None Applicable


**KOHLER® One-Year Limited
Warranty**

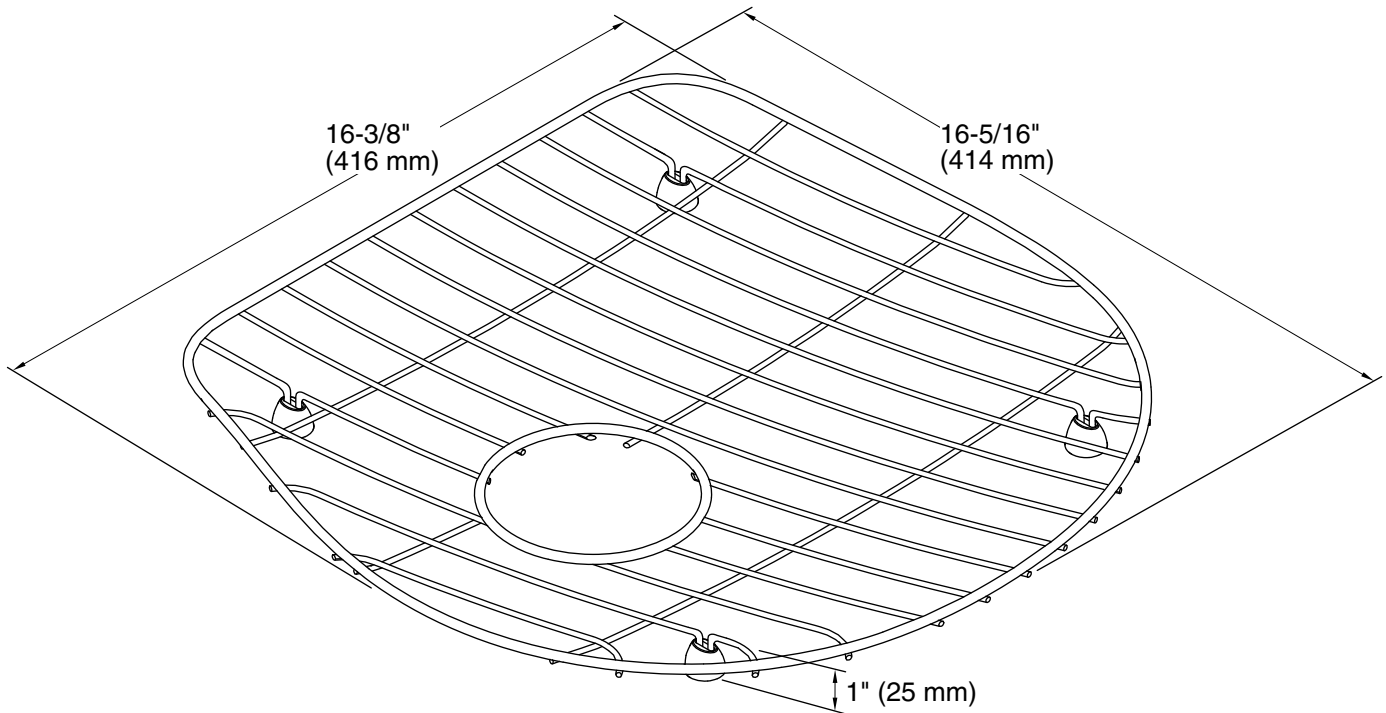
See website for detailed warranty information.

Available Colors/Finishes

Color tiles intended for reference only.

Color Code Description

	ST	Stainless Steel
---	----	-----------------



Technical Information

All product dimensions are nominal.

Material: Stainless Steel